

HermetiX™ Fire safe for Oil & Gas, Chemical and Petrochemical industries

Non-graphite fire safe



HermetiX™ fire safe valve series

Habonim introduces a revolutionary stem seal, the HermetiX™ Fire safe. This patented design includes a polymer based stem seal and a unique fire safe certified construction.

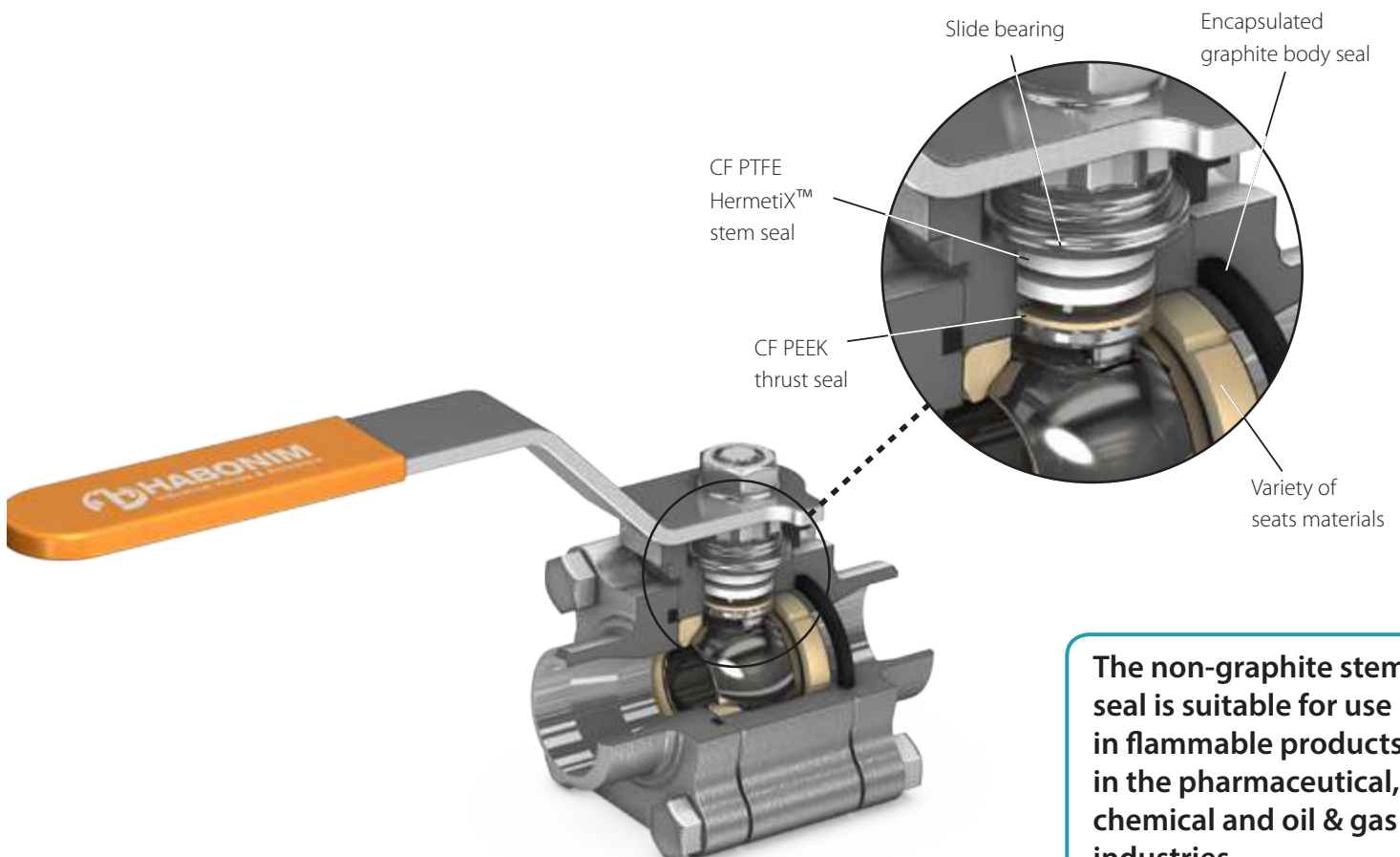
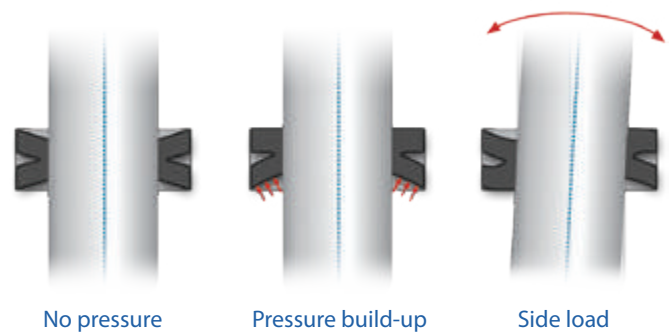
The non-graphite stem seal, suitable for use in hazardous industries like chemical, petrochemical and oil & gas, improves the performance of valve stem seal up to 500 thousand cycles compared to a porous graphite stem seal.

The HermetiX™ fire safe valve offers the ultimate solution; an exclusive non-graphite stem seal that eliminates the risk of graphite disintegration after prolonged stem wear or fire; protecting both line materials and air quality.

Today, there is an ever increasing demand for valves due to a number of factors, among them, rising insurance costs for liability due to personnel injury or loss of life, property damage, tighter environmental and safety regulations, loss of materials through leakage, the high cost of system shutdown, clean-up and replacement parts to name a few. The HermetiX™ fire safe valve meets the requirements of fire-safe API 607 / ISO 10497 standards, as well as the stringent ISO 15848-1 standard.

HermetiX™ superior stem seal

The patented HermetiX™ stem seal is named for its distinctive "X"-shaped design. The flexible "X" shape creates a dynamic sealing arrangement so that in the event of pressure buildup or side load, the HermetiX™ dynamically adjusts to prevent fugitive emissions. This results in a superior stem seal design compared with the conventional flat stem seals currently available on the market.



The non-graphite stem seal is suitable for use in flammable products in the pharmaceutical, chemical and oil & gas industries

HermetiX™ fire safe valve series features

- Fugitive emission certified to ISO 15848-1
- Fire safe certified to API 607 and ISO 10497
- Habonim design Patent No. D598,988
- Minimizes shutdowns for maintenance up to 500,000 cycles
- Prevents media contamination from graphite particles
- Ensures uninterrupted production
- Increases site safety



HermetiX™ fire safe stem seal holds up in fire test



During the fire test, pressure pushes the valve stem upwards, causing a metal-to-metal seal between the stem fire lip and the valve body. After cooling down, holding the stem aligned becomes crucial in order to allow valve rotation to the open position and a successful final shell test. Traditional graphite based sealing components function only as a base to hold the stem parts aligned. Habonim's unique graphite-free stem seal components, allow the stem to stay aligned and operable after cooling, even after the polymer materials have melted.

Certifications and standards of compliance

ISO 15848-1 Industrial valves - Measurement, test and qualification procedures for fugitive emissions. Part 1: Classification system and qualification procedures for type testing of valves

API 607 / ISO 10497 Testing of valves - Specifies fire type testing requirements and a fire type-test method for confirming the pressure containing capability of a valve under pressure during and after the fire test.

ANSI B16.34 Design standard - Valves Flanged, Threaded and Welding End

HermetiX™ fire safe valve series

Three-piece F47W series

Three-piece #600 F26W series

Three-piece High-pressure #1500 F27W series

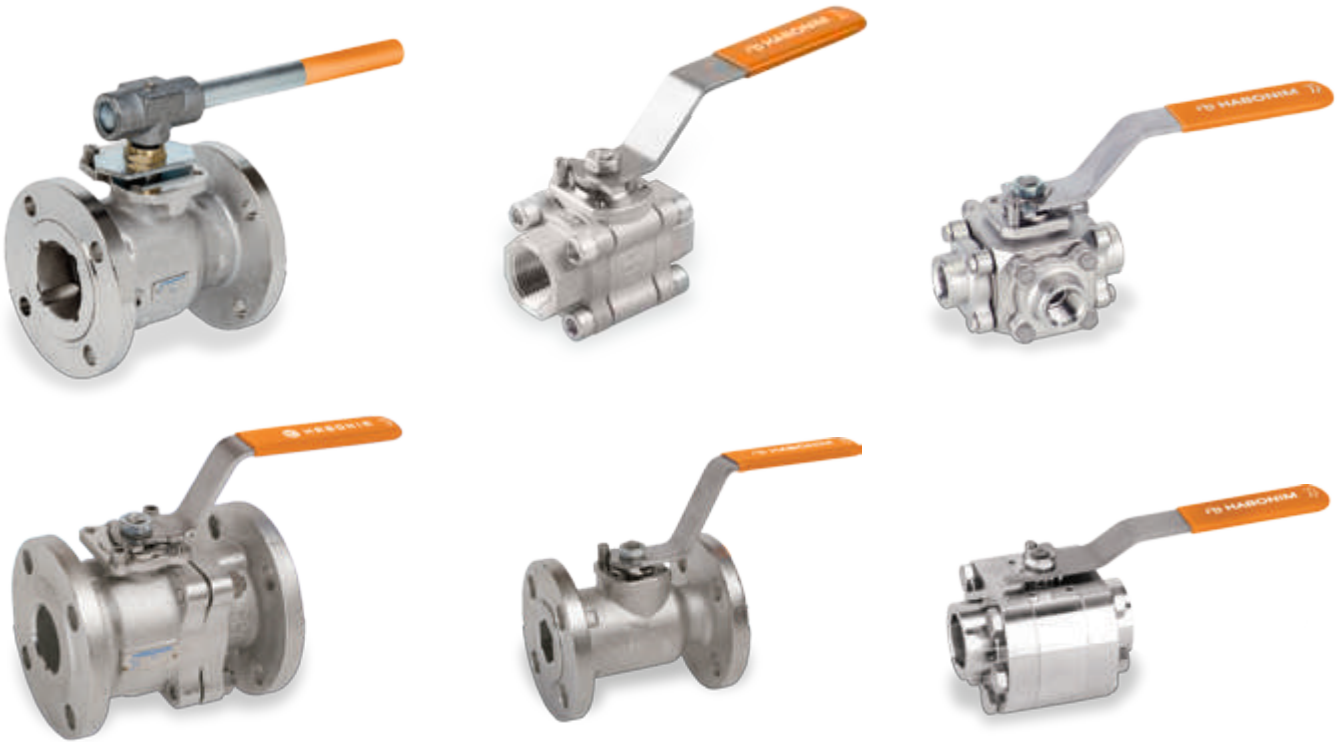
Three-piece High-pressure #2500 F28W series

Flanged, #150/#300 F31W/F32W series

Flanged, full port #150/#300 F73W/F74W series

Flanged, full port, PN16/PN40 F77W /F78W series

Multi-port #600 61W/62W series



HermetiX™ color code



HermetiX™



HermetiX™ fire safe



Biopharm HermetiX™ fire safe

