
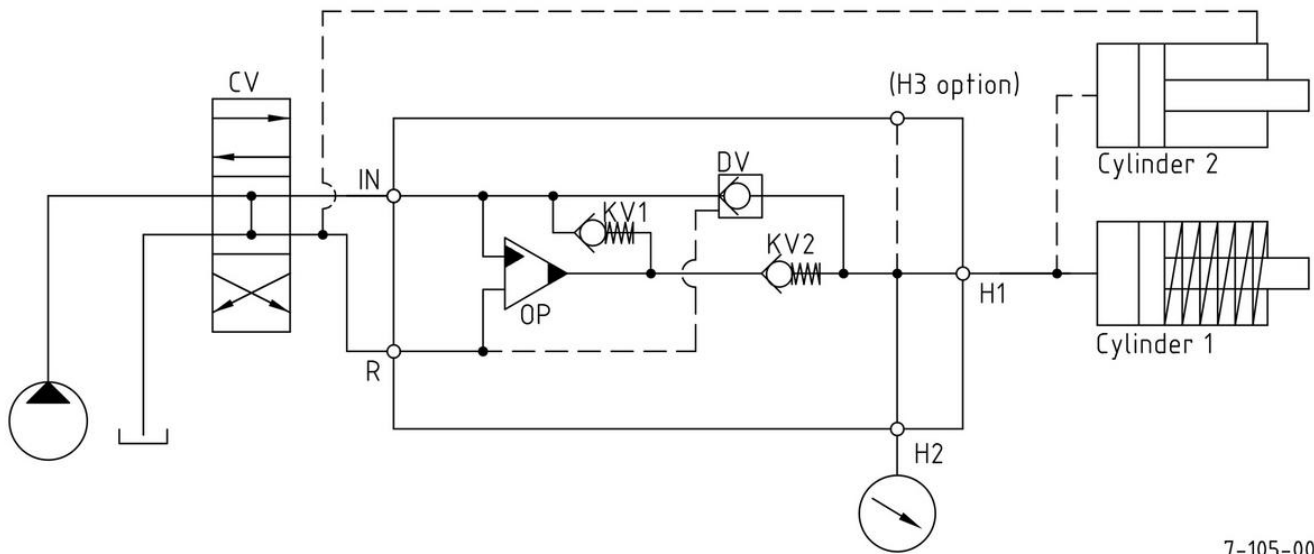





## Function diagram

 Function diagram 7-105-00



7-105-00

## Dimensions

 Dimension drawing 7-120-09

	IN / R
1	1/4" BSPP
2	7/16-20" UNF

### BSPP

	IN / R
	1/4" BSPP
	4,0 10/
	3,0 10/
	4,0 10/

### TTNF

	IN / R
	7/16-20" UNF
	2,0 10/

## High- pressure adapters

High- pressure adapter ordering codes and specifications are shown in the PDF- file below:



High- pressure adapters: 7-900-06

### HC7

HC7 DV i = 13,0, H1 M22 x 1,5 H2 9/16-18 UNF,  
BSPP: HC7 - 13,0 - B - 12

!

	<i>i</i>			
HC7	...			
		A = ( ) / A		
		B = ( ) / B		
		G = ( ) / G		
	IN, R	H1	H2	H3
HC7- ___ - ___-11	1/4" BSPP	M22 x 1,5	–	–
HC7- ___ - ___-21	7/16-20 UNF	M22 x 1,5	–	–
HC7- ___ - ___-12	1/4" BSPP	M22 x 1,5	9/16-18 UNF	–
HC7- ___ - ___-22	7/16-20 UNF	M22 x 1,5	9/16-18 UNF	–
HC7- ___ - ___-13	1/4" BSPP	M22 x 1,5	9/16-18 UNF	9/16-18 UNF
HC7- ___ - ___-23	7/16-20 UNF	M22 x 1,5	9/16-18 UNF	9/16-18 UNF